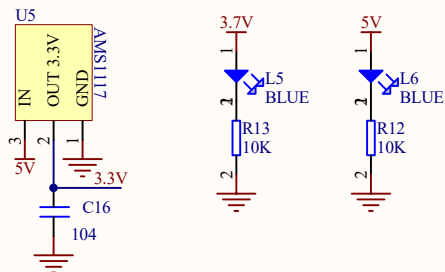
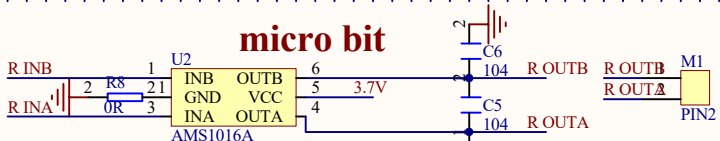


Power supply

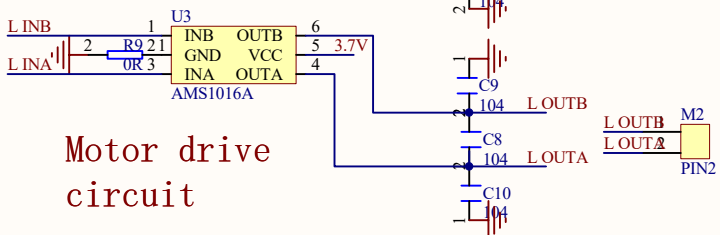


3.3V power supply

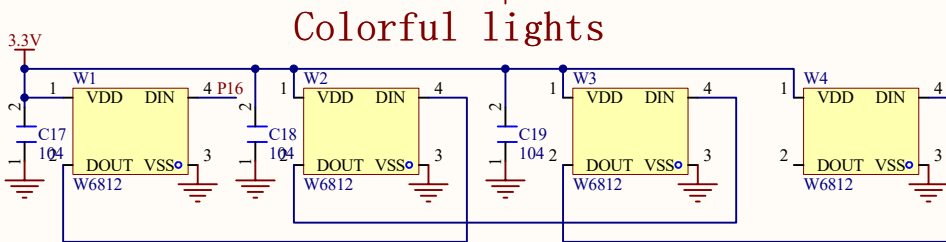
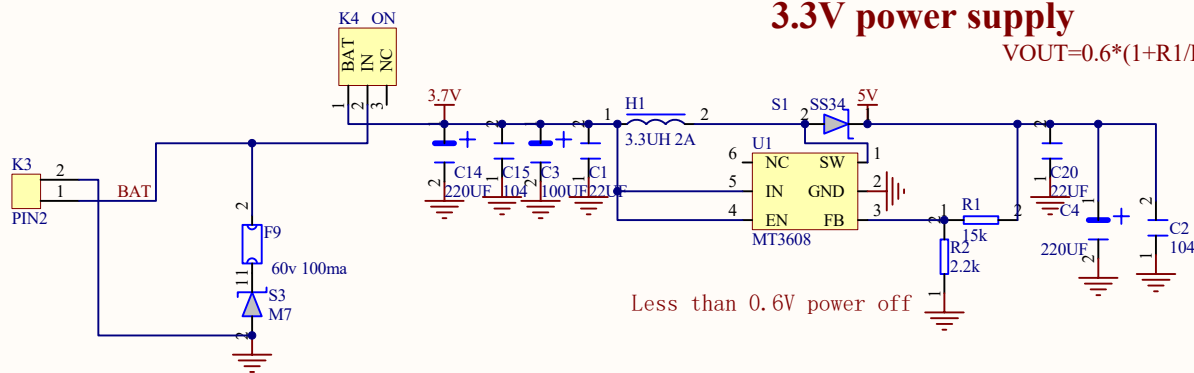
$$V_{OUT} = 0.6 * (1 + R1/R2)$$



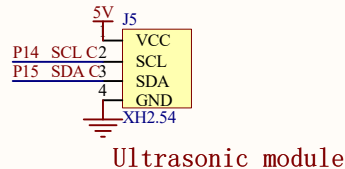
micro bit



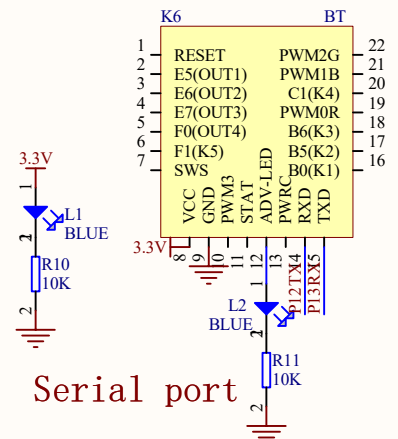
Motor drive circuit



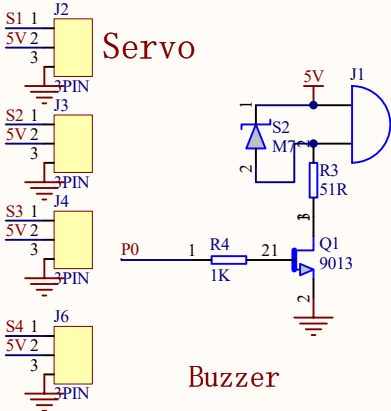
Colorful lights



Ultrasonic module



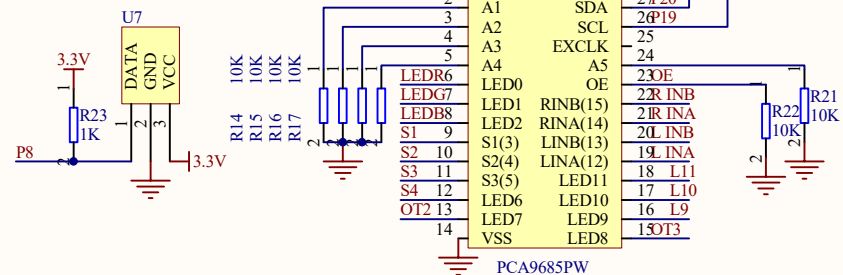
Serial port



Servo

Buzzer

Infrared remote control



Tracking infrared colorful lights



Touch magic lights



Touch magic lights