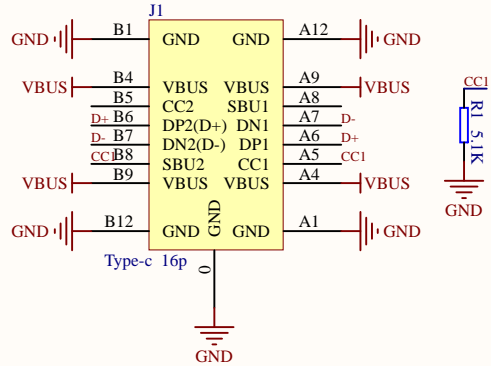
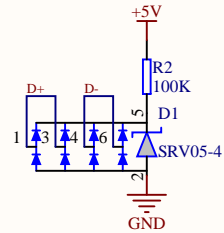


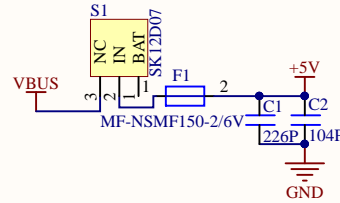
Type-c port



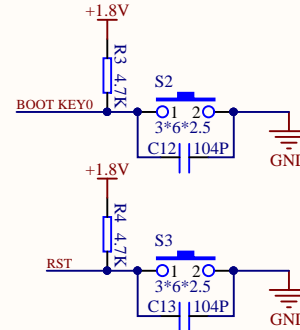
ESD protection



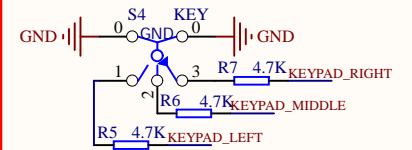
Switch



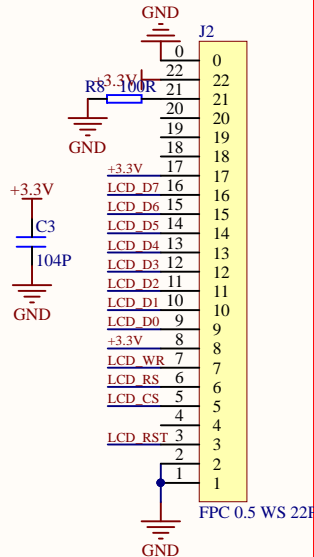
Button



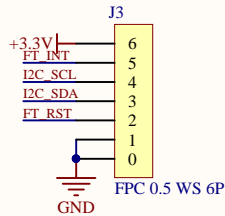
3-channel toggle switch



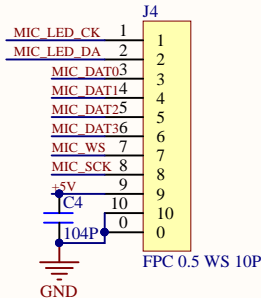
LCD display



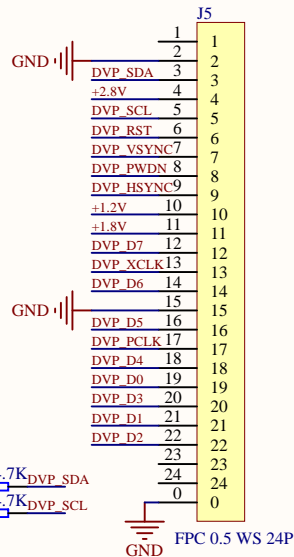
LCD touch



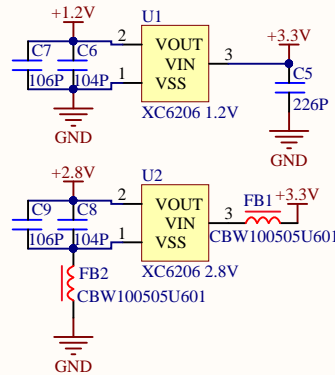
MIC阵列



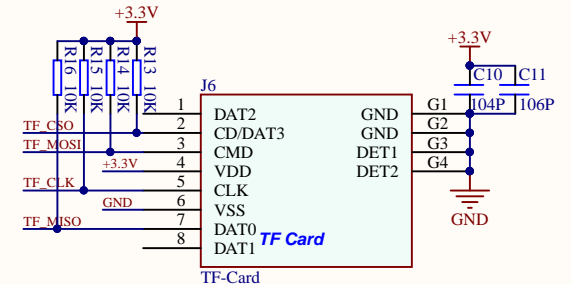
DVP camera



DVP Camera power supply



TF Card



Title		
Size	Number	Revision
A4		
Date:	2020/7/2 星期四	Sheet of
File:	E:\yahboom\...\Expand.SchDoc	Drawn By:

A

A

B

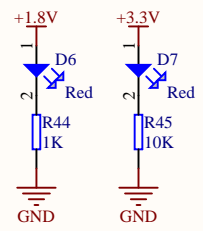
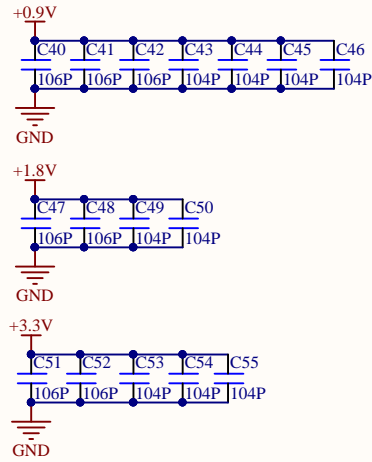
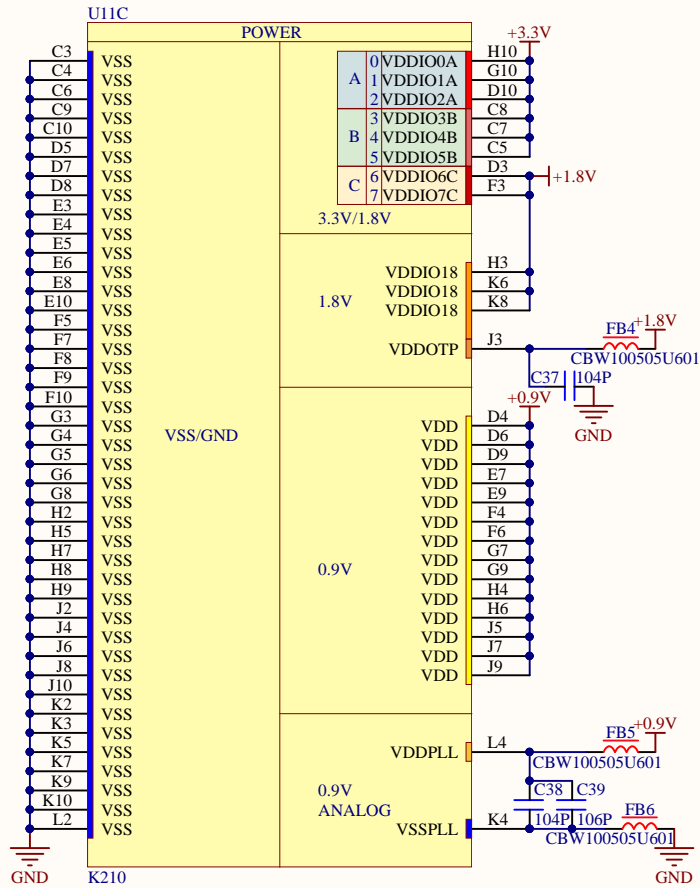
B

C

C

D

D



Title		
Size	Number	Revision
A4		
Date:	2020/7/2 星期四	Sheet of
File:	E:\yahboom\...\K210 POWER.SchDoc	Drawn By:

A

A

B

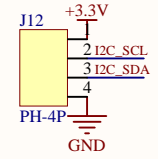
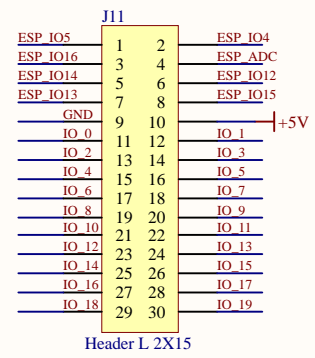
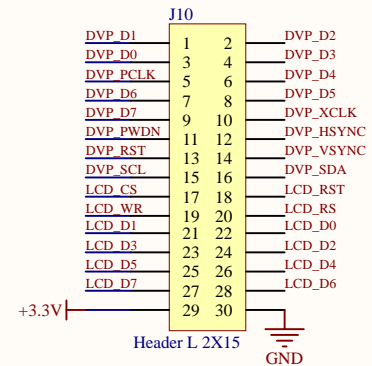
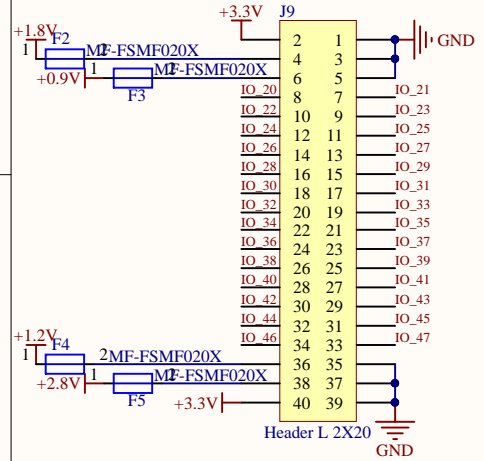
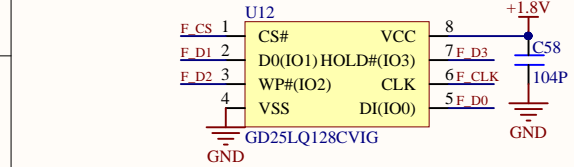
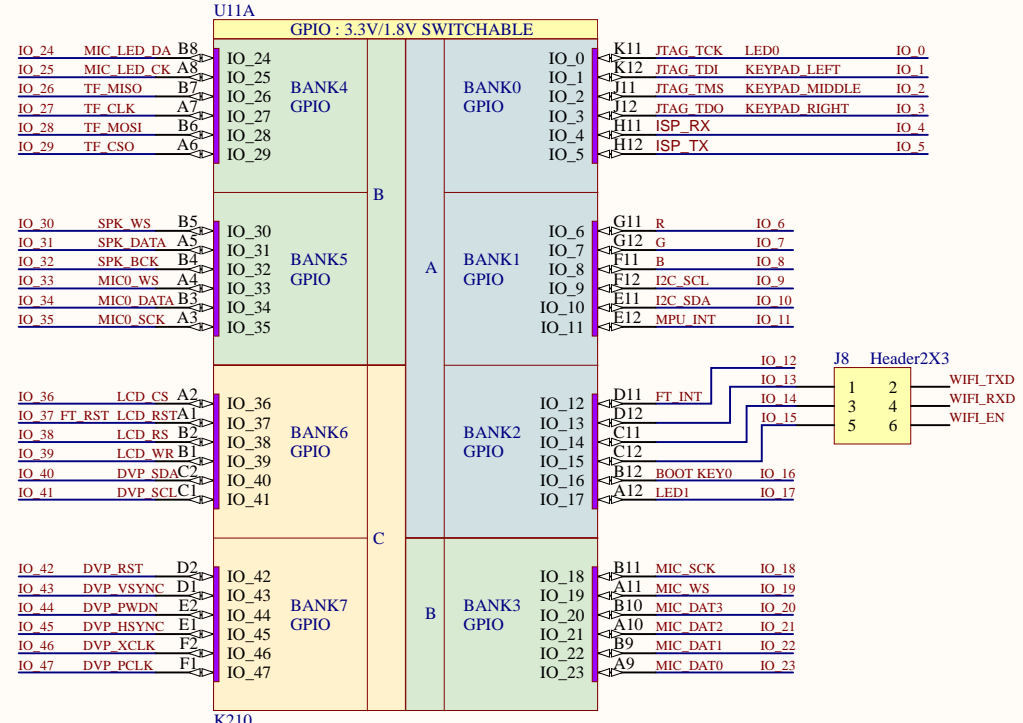
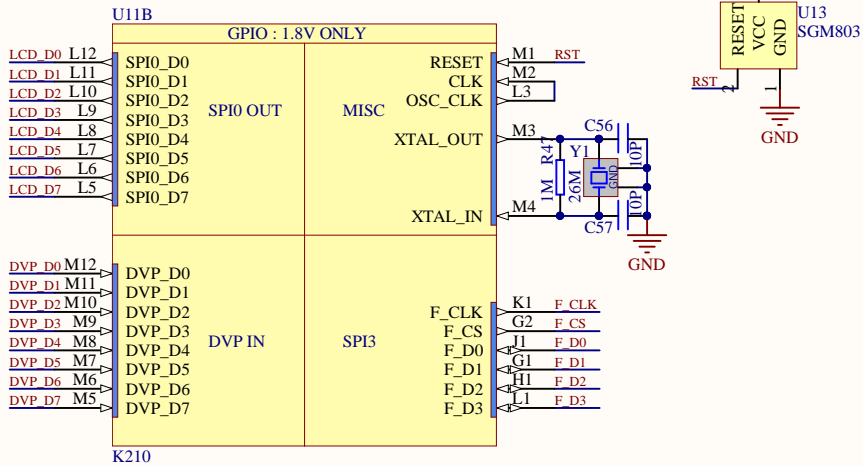
B

C

C

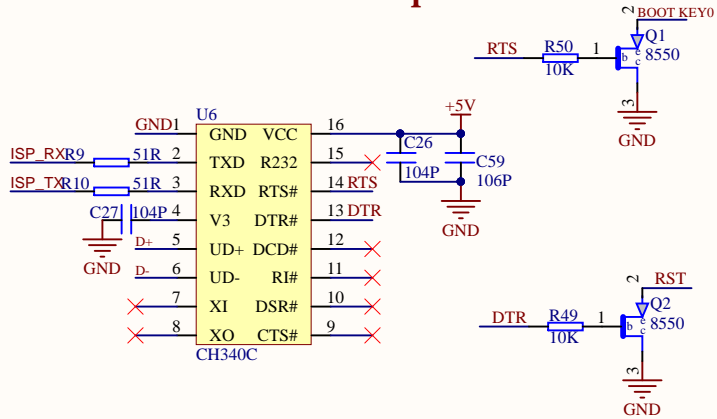
D

D

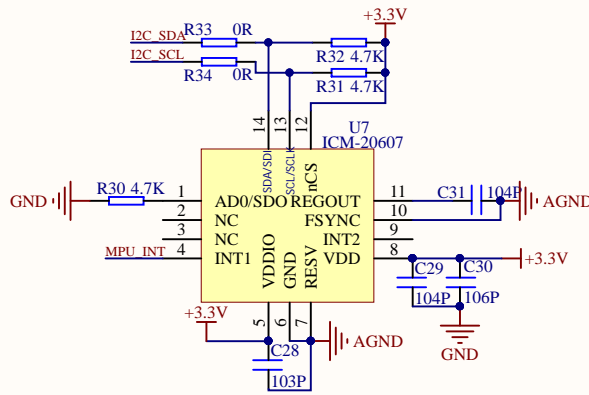


Title		
Size	Number	Revision
A4		
Date:	2020/7/2 星期四	Sheet of
File:	E:\yahboom\...\K210.SchDoc	Drawn By:

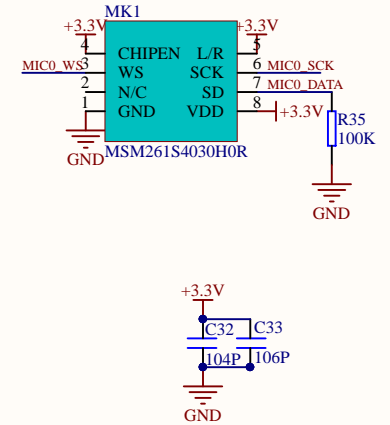
CH340 serial port



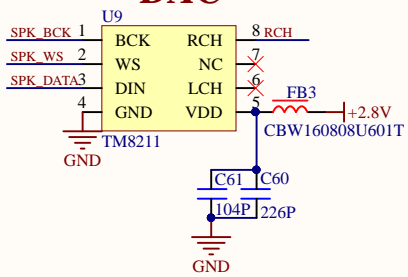
ICM-20607 gyroscope



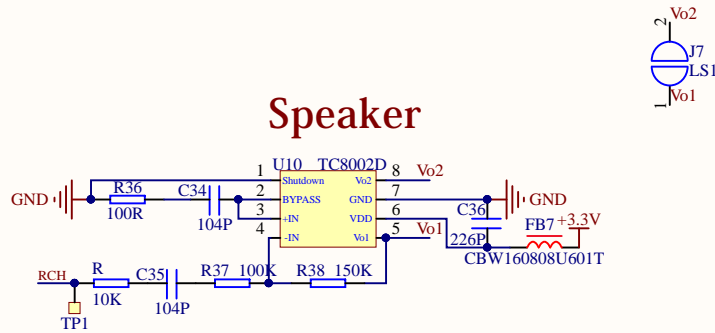
MIC



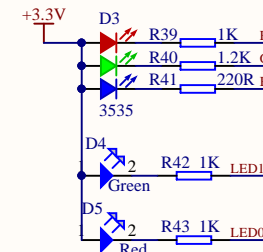
DAC



Speaker

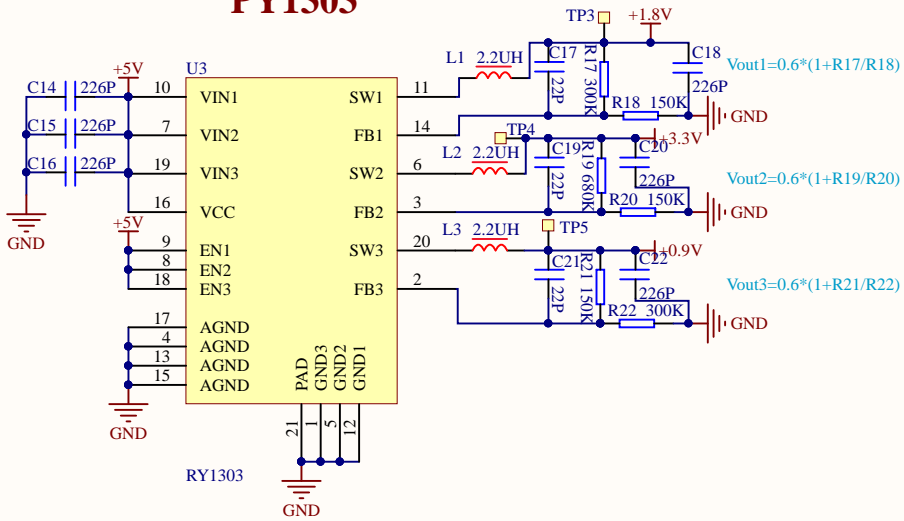


RGB, red, green indicator light

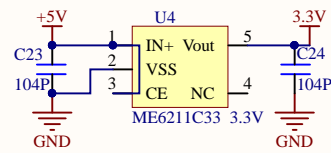


Title		1	2
Size		LOGO	LOGO
A4	Number	Revision	
Date:	2020/7/2 星期四	Sheet of	
File:	E:\yahboom\...\Peripheral.SchDoc	Drawn By:	

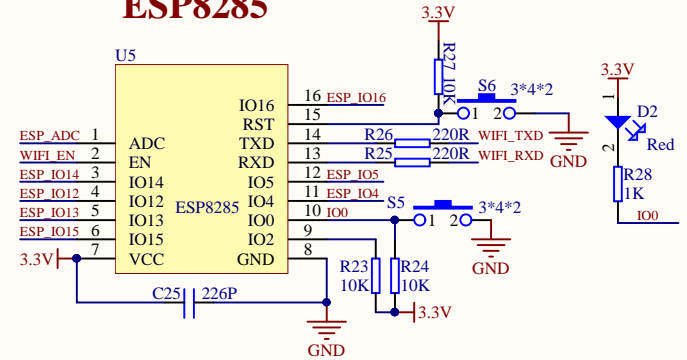
PY1303



ESP8285 3.3V lower voltage



ESP8285



Title		
Size A4	Number	Revision
Date: 2020/7/2 星期四	Sheet of	
File: E:\yahboom\...\POWER.SchDoc	Drawn By:	